
Global Wulfsberg *Service Bulletin*

BULLETIN NO: C-5000-4
C-5000 Communications Management
Controller

EFFECTIVITY

C-5000, P/N 31300-0101-2300, -2330, and -2333, and P/N 31300-0201-2223, -2300, -2310, -2330, and -2333, serial number 1531 and below.

Units with serial numbers above those stated have Mod 22 incorporated during original manufacturing.

C-5000, P/N 31300-0101-1230, -1300, and -1311, and P/N 31300-0201-1330, serial number 1531 and below.

Units with serial numbers above those stated have Mod 26 incorporated during original manufacturing.

REASON

To improve Digitally Coded Squelch (DCS) tone operation during Transmit.

DESCRIPTION

This modification consists of adding a capacitor to the Tone Module.

COMPLIANCE

Recommended at next scheduled maintenance period.

WARRANTY INFORMATION

Warranty credit or payment will be issued for this modification if the unit is still under the original new product warranty, and the modification is completed by an appropriately rated AlliedSignal Service Center. A properly completed warranty claim for one and a half (1.5) hours labor plus parts may be submitted.

APPROVAL

This modification does not affect the original approval.

MANPOWER

One and a half (1.5) hours labor including testing.

REFERENCES

C-5000 Installation Manual, P/N 150-1355-000.

MODIFICATION PROCEDURE

1. Remove the cover to access the Tone Module.

CAUTION

Any disassembly / assembly of the C-5000 must be done at a static-safe work station. Removed modules should be placed in anti-static bags when not installed in the unit.

2. See Figure 1. Add C28, P/N 096-01186-0080, on top of C24, with the positive side toward C22.
3. Reassemble the unit.

IDENTIFICATION PROCEDURE

For a C-5000 P/N 31300-0101-2300, -2330, or -2333, or P/N 31300-0201-2223, -2300, -2310, -2330, or -2333, stamp an X on the modification section of the Unit Serial Tag to indicate that Mod 22 is complete.

For a C-5000 P/N 31300-0101-1230, -1300, or -1311, or P/N 31300-0201-1330, stamp an X on the modification section of the Unit Serial Tag to indicate that Mod 26 is complete.

TESTING PROCEDURE

Perform a complete functional test of the unit in accordance with Section VI of the Installation Manual.

MATERIAL INFORMATION

The only part necessary to modify one C-5000 per this Service Bulletin is listed below:

Part Number	Qty	Description
096-01186-0080	1	CAP 1.0UF 35V 20%

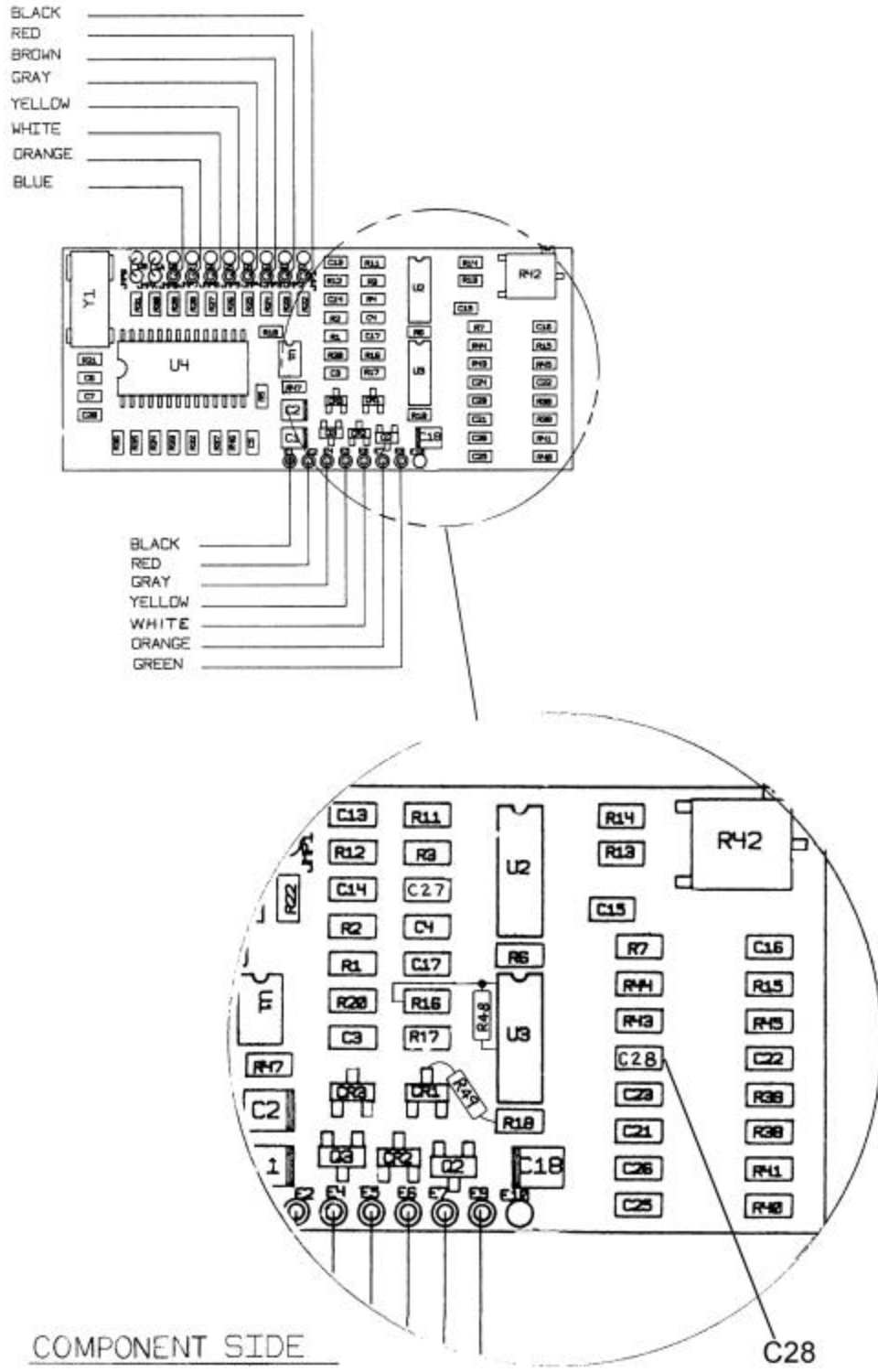


Figure 1
 C-5000 Tone Module
 300-018390 Rev-4

Date: Sep/97

SB C-5000-4

P/N: 620-00020-0040

Page 3 of 4

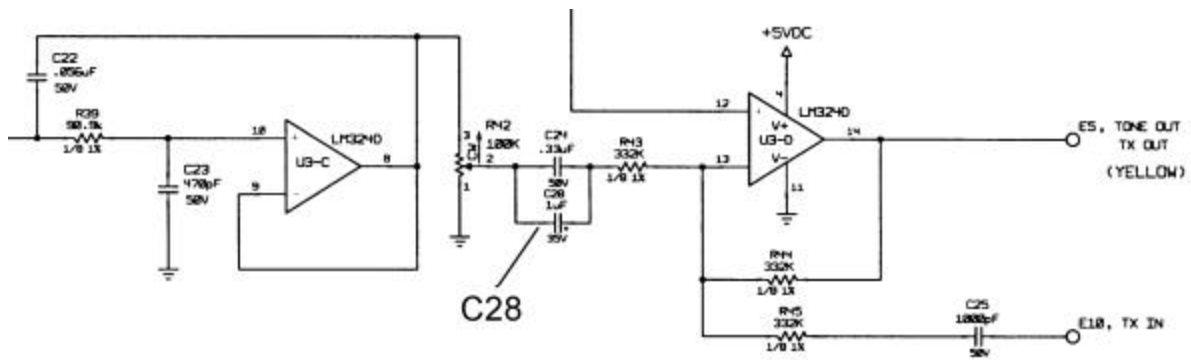


Figure 2
 C-5000 Tone Module
 Enlarged Detail