

SH	REV	A	APPROVALS		DATE	REVISIONS		
			DESCRIPTION	DATE	APPROVED			
1			DRAWN	Robert DeLong	8/25/98			
			CHECKED	<i>R.D. Long</i>	9/10/98	A	INITIAL RELEASE	9/10/98 <i>S. Elliott</i>
			ENGINEER	<i>R.D. Long</i>	9/10/98			
			ISSUED	<i>S. Elliott</i>	9/10/98			

DOC NO. 150-040073


THIS DOCUMENT CONTAINS PROPRIETARY INFORMATION OF WULFSBERG ELECTRONICS DIVISION, A CHELTON GROUP COMPANY. NEITHER RECEIPT NOR POSSESSION THEREOF CONFERS ANY RIGHT TO REPRODUCE, OR USE, OR DISCLOSE, IN WHOLE OR IN PART, ANY SUCH INFORMATION WITHOUT WRITTEN AUTHORIZATION FROM WULFSBERG ELECTRONICS DIVISION.

NEXT ASSEMBLY	FINAL ASSEMBLY

UNLESS OTHERWISE SPECIFIED DIMENSIONS ARE IN INCHES TOLERANCES ARE:

FRACTIONS	DECIMALS	ANGLES
±	.XX ±	±
	.XXX ±	

**DRAWING TITLE**  
**Modification of an RT-138 Guard Receiver to Improve Spurious Performance, WSB-002**

 <b>Wulfsberg Electronics Division</b> A Chelton Group Company Prescott, AZ 86301 U.S.A.	SIZE	CAGE CODE	DWG. NO.	REV
	A	1B7G3	150-040073	A
				SCALE



## Service Bulletin WSB-002

### MODIFICATION OF AN RT-138 GUARD RECEIVER TO IMPROVE SPURIOUS PERFORMANCE

#### 1. EFFECTIVITY

This modification is applicable to all RT-138 guard receivers, PN 300-2241-000, revision Q or older. It should be installed per customer request on receivers with diminished spurious rejection performance at harmonics of the first L.O. crystal.

#### 2. BACKGROUND

This service bulletin covers modifications to the RT-138(F) guard receiver, PN 300-2241-000, which improve receiver spurious response due to harmonic overtones of the first L.O.

#### 3. DESCRIPTION

To modify the receiver, inductor L17 is changed to a capacitor (C94), and the value of capacitors C51 and C54 are changed.

#### 4. INSTALLATION INSTRUCTIONS

- A. Remove the top cover from the transceiver.
- B. Remove the Guard Receiver Module from slot A8 per the RT-138F Maintenance Manual, Report 1325.
- C. Install capacitor, C94, PN 106-00001-0008 with Teflon® sleeving, PN 16016-22 in place of inductor L17. Refer to Figure 1 for application of sleeving.

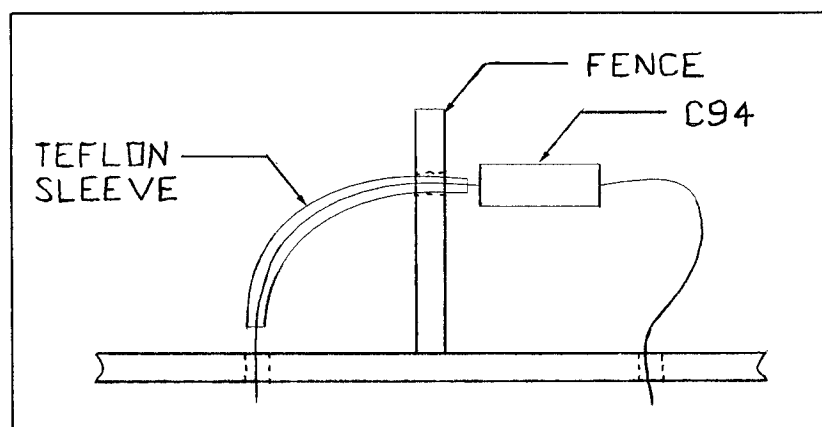


Figure 1) Installation of C94 with Teflon® sleeving through the shield fence.

- D. Replace C51 and C54 with capacitor, PN 104-00001-0042.
- E. Mark "WSB-002" on the back of the PC board.
- F. Align the L.O. tripler filter per the Maintenance Manual.



G. Install the Guard Receiver per the Maintenance Manual.

H. Replace the transceiver top cover.

## **5. SYSTEM CHECKOUT**

After the modification, verify proper system operation per the Maintenance Manual.

## **6. COST AND AVAILABILITY**

For cost and availability of parts, call Sales Administration, Prescott, Arizona, (520) 705-1550.

## **7. WARRANTY PROVISIONS**

Wulfsberg Electronics Division does not reimburse for parts or labor charges incurred while incorporating Service Bulletin WSB-002.

## **8. MATERIALS**

<u>Part Number</u>	<u>Qty.</u>	<u>Nomenclature</u>
16016-22	4"	Teflon Sleeving, 22 AWG
106-00001-0008	1 ea.	Cap FC 0.68 pF 10% 500V
104-00001-0042	2 ea.	Cap 5 pF $\pm$ 0.5 100 V Mica Radial

