

Wulfsberg Series III™: VCS 40A/C VHF Communication System



PRODUCT DESCRIPTION

The VCS 40A/C VHF Communication System includes an all-digital VHF Transceiver built and designed to ARINC 700 series Air Transport specifications. The VCS 40A/C features a 20-watt solid-state transmitter and can channel 25 kHz or 8.33 kHz spacing. The transceiver is tuned via the individual Series III control heads, FliteLine Controls or ARINC 429 data bus allowing it to interface to Flight Management Systems and other standard 429 protocol systems including the Wulfsberg RMS 555 Radio Management System. The VC-401C Transceivers and CD-402C controls are form, fit and functionally interchangeable with VC-401B and CD-402B units. The control head allows the operator to select 25 kHz or 8.33 kHz tuning steps using a knob position selector on the front of the control head.

Features

- 8.33 and/or 25 kHz Channel Spacing
- Continuous Transmit Capability (at reduced power)
- Built-in SELCAL and ACARS Capability
- Optional Stand-alone Control Head (CVC-152, CCN-955)
- Automatic System Self-Test and Diagnostics
- ARINC 429 Digital Data Bus
- 118.00-136.975 MHz Standard Frequency Range
- 118.00-151.975 MHz Extended Frequency Range Option
- FAA TSO Approvals: C37C & C38C (VC-401B & CD-402B)
C37D & C38D (VC-401C & CD-402C)

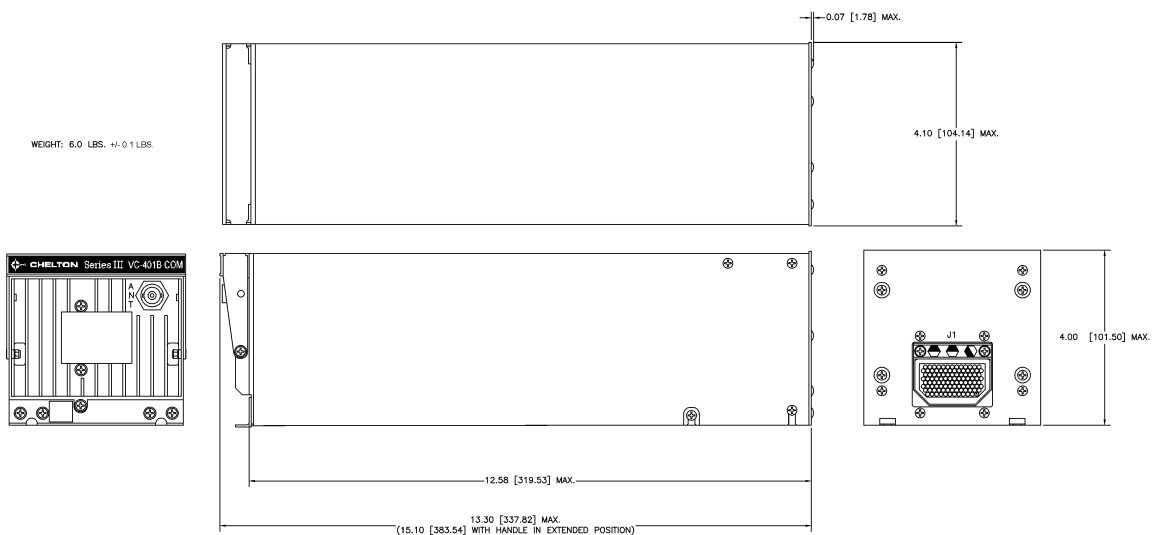
Wulfsberg Series III™: VCS 40A/C VHF Communication System

Specifications

Power Requirements	27.5 Vdc Aircraft Power (+/- 20%)
Current Requirements	Receive 0.5 Amp, Transmit 4.5 Amp
Weight	6.0 lbs. (2.7 kg)
Temperature	-67°F to 158°F (-55°C to +70°C)
Altitude	55,000 feet (16,764 m)
Frequency Range	118 – 136.975 MHz, or 118 – 151.975 MHz
Channel Spacing	8.33 and/or 25 kHz
Physical Dimensions	4.1 x 4.0 x 13.33 in. (104.14 x 101.6 x 338.58 mm)
Transmit Power	20 Watts

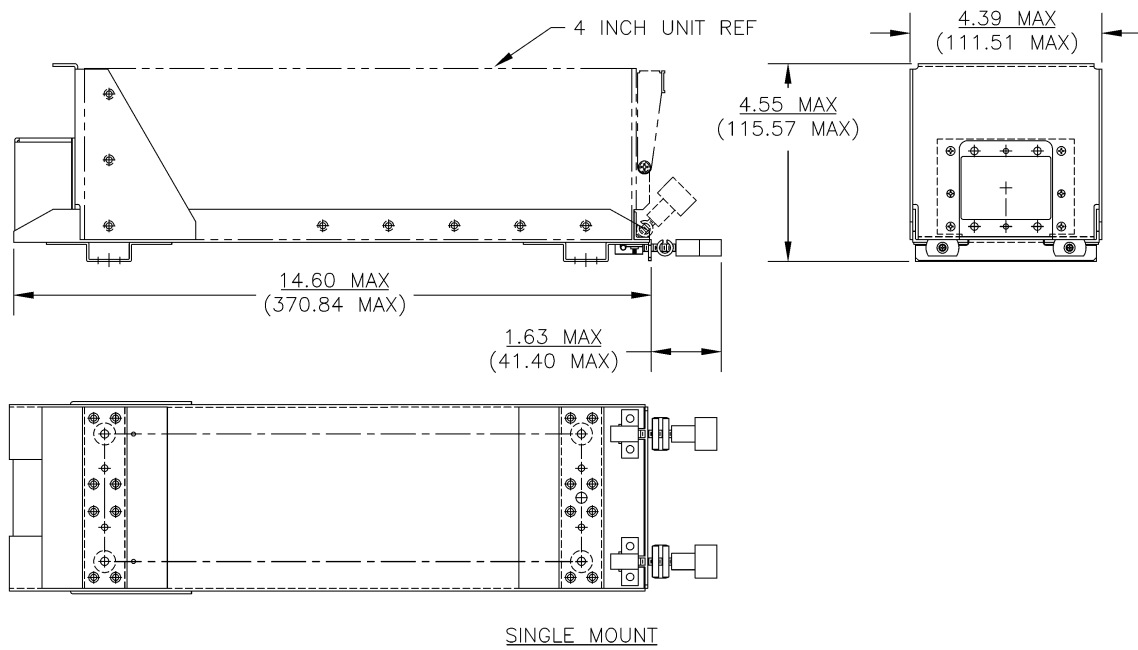
Available Configurations (contact Wulfsberg for alternate configurations)

Part Number	Description
064-1047-01	VC-401B VHF Com 151.975 MHz 10 mW Audio
064-1047-12	VC-401B VHF Com 136.975 MHz 20 mW Audio
064-1047-21	VC-401B VHF Com 151.975 MHz 40 mW Audio
064-1047-22	VC-401B VHF Com 136.975 MHz 40 mW Audio
064-1047-31	VC-401B VHF Com 151.975 MHz 20 mW Audio
064-1047-32	VC-401B VHF Com 136.975 MHz 10 mW Audio
400-042000-0111	VC-401C VHF Com 151.975 MHz 10 mW Audio
400-042000-2211	VC-401C VHF Com 136.975 MHz 40 mW Audio
400-042000-3211	VC-401C VHF Com 136.975 MHz 10 mW Audio
400-042000-6011	VC-401C VHF Com 136.975 MHz 8.33-25 kHz Switched 10 mW Audio
400-042000-6111	VC-401C VHF Com 151.975 MHz 8.33-25 kHz Switched 10 mW Audio
400-042000-6211	VC-401C VHF Com 136.975 MHz 8.33-25 kHz Switched 20 mW Audio
400-042000-6311	VC-401C VHF Com 151.975 MHz 8.33-25 kHz Switched 20 mW Audio
400-042000-6411	VC-401C VHF Com 136.975 MHz 8.33-25 kHz Switched 40 mW Audio
400-042000-6511	VC-401C VHF Com 151.975 MHz 8.33-25 kHz Switched 40 mW Audio

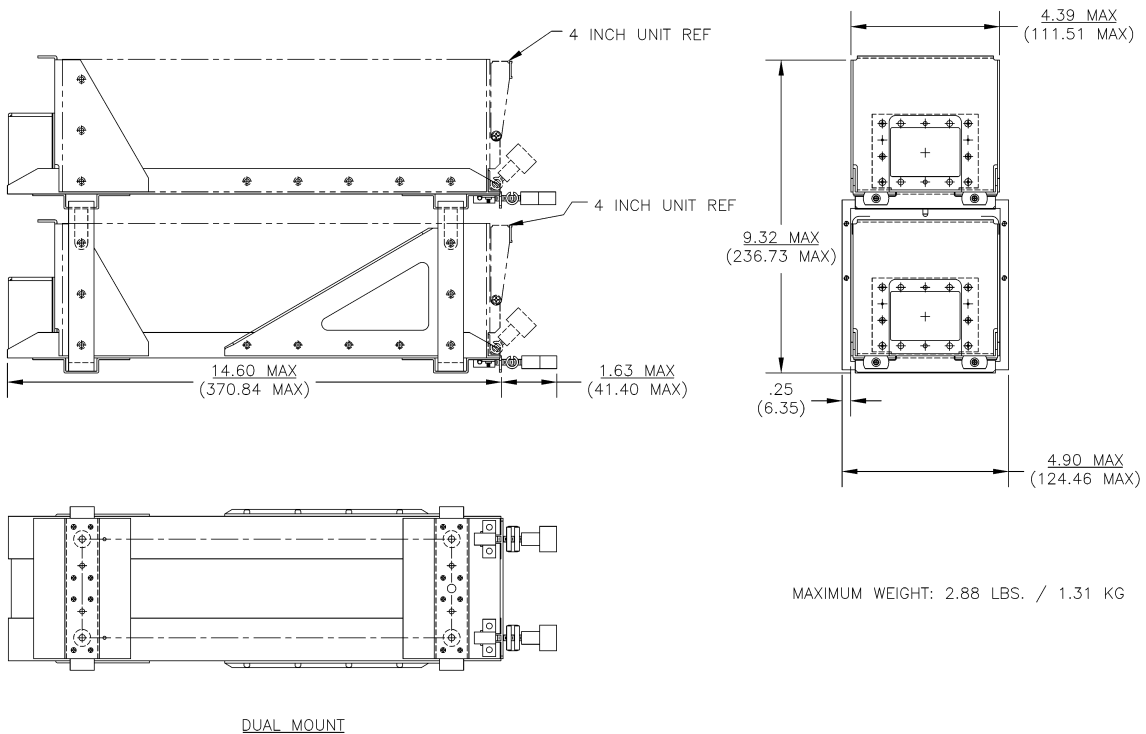


**Figure 11. VC-401B/C Outline Drawing
Portions of Dwg No. 154-01047**

Wulfsberg Series III™: VCS 40A/C VHF Communication System



**Figure 12. Mounting Tray Outline Drawing 4-inch (Single Mount)
Portions of Dwg No. 154-04047**



**Figure 13. Mounting Tray Outline Drawing 4-inch (Dual Mount)
Portions of Dwg No. 154-04047**