

Tactical Communication Products: RT-2000 Remote Mounted Transceiver



RT-2000 Remote Mounted Transceivers Single or Dual, Analog/Digital, P-25 Transceivers VHF-Hi, UHF, 800, 700/800 MHz bands

PRODUCT DESCRIPTION

The Wulfsberg RT-2000 is a FM Tactical transceiver that incorporates one or two transceiver modules and control functions into a single panel mount unit. Part number variations of the unit exist for the combination of the frequency bands as the P-2000: 137-174 MHz (FCC certification limits the use of the unit to 137 MHz), 403-470 MHz, 450-520 MHz, and 806-870 MHz. Each transceiver module with the exception of the 806-870 MHz band can transmit with 1 or 10 Watts transmit power. The 800 MHz unit produces 1 and 3 watts transmit power. The RT-2000 is designed to be controlled by a C-2000 control display. Multiple C-2000's can be used for multi-point control of the RT-2000. Input voltage is 28 volts DC and the keypad is backlit from either 28 VDC, 5 VDC or 5 VRMS AC.

The RT-2000 transceiver is designed to be rack mounted. Two connectors, a DB-25 and DB-15 accept all harness wiring on the rear of the RT-2000, while two TNC type RF connectors provide the antenna connection through conventional coaxial cables. For models containing one transceiver, only one antenna port is provided.

The RT-2000 consists of functional subassemblies interconnected via standard connectors and ribbon cables. The case of the RT-2000 is designed to be easily disassembled to expose most subassemblies or circuit modules for service. All adjustments to audio levels can be made via software and do not require the disassembly of the box. Internal test points are exposed and available to the service technician without having to remove circuit module subassemblies or use extender cables or cards.

Tactical Communication Products:

RT-2000 Remote Mounted Transceiver

Features

VHF/UHF/800

Small Footprint, Simple Installation

Single or Dual Transceiver Version

Requires C-2000 Control

Maximum Transmit Range with 10 Watt VHF/UHF Transmit Power

NTIA Compliant

Specifications

CHARACTERISTICS	DESCRIPTION
Certification	
FAA	In Process (PMA/STC Helicopter and Fixed Wing Aircraft)
Software	DO-170B Level D
Environmental	DO-160D [(B4/F1)X]BAB[S(CL)]EXXXXZZBZZ[RR]MXXXXA
FCC	FRW-2000-(VHF,UHF-1,UHF-2, 800)
Industry Canada	Pending
Emission Designator	
156 – 158 MHz	Part 80.379, 87.187(l), 16K0F3E
137 – 174 MHz	Part 90.210, 16K0F3E, 11K0F3E, 8K10F1E, 8K0F1D
403 – 520 MHz	Part 90.210, 16K0F3E, 11K0F3E
806 – 870 MHz	Part 90, 16K0F3E, 11K0F3E, 8K10F1E, 8K0F1D
Altitude	55,000 feet ASL (16,764 meters)
Temperature Range	
Operation	-22°F to +140°F (-30°C to 60°C)
Storage	-67°F to +185°F (-55°C to 85°C)
Cooling	Free air circulation
Weight	
RT-2000 (Single transceiver)	2.30 lbs. Max. (1.04 kg)
RT-2000 (Dual Transceiver)	2.90 lbs. Max. (1.32 kg)
Mounting	Wulfsberg Mounting Tray
Overall Dimensions	
Height	3.0 inches max. (76.2 mm)
Width	5.75 inches max.(146.05 mm)
Length	7.49 inches max (190.25 mm) (without Connectors)
Input Power Requirements	
Normal Voltage Range	22.0 to 30.3 VDC
Abnormal Voltage Range	20.5 to 32.2 VDC
Emergency Operation	Not Supported
RT-2000 (Single Transceiver)	
Receive	0.75 Amp nominal. 1.2 Amp Max
Transmit	2.50 Amp nominal. 3.0 Amp Max.
RT-2000 (Dual Transceiver)	
Receive	0.75 Amp nominal. 1.2 Amp Max
Transmit	3.50 Amp nominal. 4.0 Amp Max.

Tactical Communication Products: RT-2000 Remote Mounted Transceiver

CHARACTERISTICS	DESCRIPTION
Frequency Band P-2000/RT-2000	Any combination of one or bands listed below
	137-174 MHz
	403-470 MHz, 380-470 MHz
	450-520 MHz
	806-870 MHz, 764-870 MHz
Data Bus	CAN Serial with Wulfsberg Proprietary Protocol
Encryption Options	AES/DES/DES-XL/DES-OFB/AES/DVP/DVI
OTAR Options	MDC1200 OTAR, P25 OTAR
Trunking Options	Smartnet, Smartzone, P25
Receiver Specifications	
Modes	FM, P-25, P-25 Trunking, Motorola 3600 Baud Trunking
Sensitivity	
Analog (12 dB SINAD) (*)	Better than .4 uV (-115 dBm)
Digital (5% BER) (*)	Better than .4 uV (-115 dBm)
Quieting	
Analog (20 dB SINAD)	.6 uV (-111.5 dBm)
Digital	Not Applicable
Selectivity	
Analog (12.5 kHz)	-65 dB (NTIA Version: -70 dB)
Analog (25.0 kHz)	-70 dB (NTIA Version: -80 dB)
Intermod Rejection	
Analog (12.5)	-70 dB
Analog (25.0)	-70 dB
Spurious Rejection	
Analog (12.5 kHz)	-65 dB (NTIA Version: -70 dB)
Analog (25.0 kHz)	-70 dB (NTIA Version: -85 dB)
Digital (5% BER)	-70 dB (NTIA Version: -85 dB)
Unwanted Emissions	
Narrow Band	-60 dBm
Wide Band	-60 dBm
Audio Output	
Headset Out	100 mW into 600 ohms
Normalized Out	>1.0 VRMS into 10k Load
External Speaker Out	>1.0 VRMS into 10k Load
Audio Distortion	< 5% at Maximum Audio Output
Hum and Noise	
Unsquelled	<-35 dB
Squelched	<-60 dB
Transmitter Specifications	
Duty Cycle	25% at Full Power
RF Power Output (#)	10 Watt Hi, 1 Watt Lo (2.75/1 Watt 800 MHz Band)
Frequency Stability	± 1.5 PPM
Modulation Limiting:	
12.5 kHz Channels	±2.5 kHz
20.0 kHz Channels	±4.0 kHz
25.0 kHz Channels	±5.0 kHz

Tactical Communication Products: RT-2000 Remote Mounted Transceiver

CHARACTERISTICS	DESCRIPTION
Unwanted Emissions	< -70 dBc (-70 dBc Harmonics, -85 dBc Spurious)
Hum and Noise	
Narrow Band	-35 dB
Wide Band	-40 dB
Audio Response	
Dual Microphone	.25 VMRS into 150 ohm Carbon/Carbon Equivalent
Transmit Distortion	< 5%
Sidetone Fidelity	6 dB max variation, 350 Hz to 2500 Hz
Sidetone Output	Adjustable 3dB below rated audio output

Note for both P-2000 and RT-2000: Transmit Power variation is 30% over voltage/temperature and 50% during abnormal voltage condition. Sensitivity specification is .6uV over vibration.

Tactical Communication Products: RT-2000 Remote Mounted Transceiver

RT-2000 Part Number Matrix

400-049400-AB-CDE-WWWW-XXXX

- A: Major Hardware Version**
1 = Initial Release
- B: Major Software Version**
1 = Initial Release*
- C: Reserved for future use (Always marked "0")**
- D: Reserved for future use (Always marked "0")**
- E: Reserved for future use (Always marked "0")**

WWW: FM1 Options

- W W W W
- | | | | |
|--|--|--|--|
| | | | -----Encryption |
| | | --Trunking | 0 = None |
| | | 0 = None (Conventional Only) | 1 = Multikey, DES/DES-XL/DES-OFB, OTAR |
| | | 1 = Motorola Smartnet (3600 Baud) | 2 = DVP-XL |
| | | 2 = Motorola SmartZone (3600 Baud) | 3 = DVI-XL |
| | | 3 = P25 (3600 & 9600 Baud) | 4 = Multikey, AES, OTAR |
| | | | 5 = Multikey, AES/DES/DES-XL/DES-OFB, OTAR |
| | | | 6 = Multikey, DES/DES-XL/DES-OFB |
| | | ----Frequency Band | |
| | | 0 = None | |
| | | 1 = 137 - 174 MHz | |
| | | 2 = 403 - 470 MHz | |
| | | 3 = 450 - 520 MHz | |
| | | 4 = 806 - 870 MHz | |
| | | 5 = 380 - 470 MHz | |
| | | 6 = 764 - 870 MHz | |
| | | ----ITM | |
| | | 0 = 255 Channels | |
| | | 1 = 240 Channels, Front Panel Programmable (FPP) | |
| | | 2 = 512 Channels | |

XXXX: FM2 Options

- X X X X
- | | | | |
|--|--|--|--|
| | | | -----Encryption |
| | | --Trunking | 0 = None |
| | | 0 = None (Conventional Only) | 1 = Multikey, DES/DES-XL/DES-OFB, OTAR |
| | | 1 = Motorola Smartnet (3600 Baud) | 2 = DVP-XL |
| | | 2 = Motorola SmartZone (3600 Baud) | 3 = DVI-XL |
| | | 3 = P25 (3600 & 9600 Baud) | 4 = Multikey, AES, OTAR |
| | | | 5 = Multikey, AES/DES/DES-XL/DES-OFB, OTAR |
| | | | 6 = Multikey, DES/DES-XL/DES-OFB |
| | | ----Frequency Band | |
| | | 0 = None | |
| | | 1 = 137 - 174 MHz | |
| | | 2 = 403 - 470 MHz | |
| | | 3 = 450 - 520 MHz | |
| | | 4 = 806 - 870 MHz | |
| | | 5 = 380 - 470 MHz | |
| | | 6 = 764 - 870 MHz | |
| | | ----ITM | |
| | | 0 = 255 Channels | |
| | | 1 = 240 Channels, Front Panel Programmable (FPP) | |
| | | 2 = 512 Channels | |

Tactical Communication Products: RT-2000 Remote Mounted Transceiver

Configuration Variations	Description
400-049400-11-000-1100-0000	RT-2000 Single Transceiver, Black, Std Display, FM1: VHF (137-174 MHz), Analog & P-25 CAI, Conventional Front Panel Programmable, 240 Channel
400-049400-11-000-1105-0000	RT-2000 Single Transceiver, Black, Std Display, FM1: VHF (137-174 MHz), Analog & P-25 CAI, Conventional Front Panel Programmable, 240 Channel Multikey Encryption (AES/DES/DES-XL/DES-OFB), OTAR
400-049400-11-000-1300-0000	RT-2000 Single Transceiver, Black, Std Display, FM1: UHF (450-520 MHz), Analog & P-25 CAI, Conventional Front Panel Programmable, 240 Channel
400-049400-11-000-1305-0000	RT-2000 Single Transceiver, Black, Std Display, FM1: UHF (450-520 MHz), Analog & P-25 CAI, Conventional Front Panel Programmable, 240 Channel Multikey Encryption (AES/DES/DES-XL/DES-OFB), OTAR
400-049400-11-000-1500-0000	RT-2000 Single Transceiver, Black, Std Display FM1: UHF (380-470 MHz), Analog & P-25 CAI, Conventional Front Panel Programmable, 240 Channel
400-049400-11-000-1505-0000	RT-2000 Single Transceiver, Black, Std Display, FM1: UHF (380-470 MHz), Analog & P-25 CAI, Conventional Front Panel Programmable, 240 Channel Multikey Encryption (AES/DES/DES-XL/DES-OFB), OTAR
400-049400-11-000-2130-0000	RT-2000 Single Transceiver, Black, Std Display, FM1: VHF (137-174 MHz), Analog & P-25 CAI, 512 Channel Trunking: SmartZone/Omnalink (3600 & 9600 Baud Cntrl Chan)
400-049400-11-000-2135-0000	RT-2000 Single Transceiver, Black, Std Display, FM1: VHF (137-174 MHz), Analog & P-25 CAI, 512 Channel Trunking: SmartZone/Omnalink (3600 & 9600 Baud Cntrl Chan) Multikey Encryption (AES/ DES/DES-XL/DES-OFB), OTAR
400-049400-11-000-2330-0000	RT-2000 Single Transceiver, Black, Std Display, FM1: UHF (450-520 MHz), Analog & P-25 CAI, 512 Channel Trunking: SmartZone/Omnalink (3600 & 9600 Baud Cntrl Chan)
400-049400-11-000-2335-0000	RT-2000 Single Transceiver, Black, Std Display, FM1: UHF (450-520 MHz), Analog & P-25 CAI, 512 Channel Trunking: SmartZone/Omnalink (3600 & 9600 Baud Cntrl Chan) Multikey Encryption (AES/ DES/DES-XL/DES-OFB), OTAR
400-049400-11-000-2530-0000	RT-2000 Single Transceiver, Black, Std Display, FM1: UHF (380-470 MHz), Analog & P-25 CAI, 512 Channel Trunking: SmartZone/Omnalink (3600 & 9600 Baud Cntrl Chan)
400-049400-11-000-2535-0000	RT-2000 Single Transceiver, Black, Std Display, FM1: UHF (380-470 MHz), Analog & P-25 CAI, 512 Channel Trunking: SmartZone/Omnalink (3600 & 9600 Baud Cntrl Chan) Multikey Encryption (AES/ DES/DES-XL/DES-OFB), OTAR
400-049400-11-000-2630-0000	RT-2000 Single Transceiver, Black, Std Display, FM1: UHF (764-870 MHz), Analog & P-25 CAI, 512 Channel Trunking: SmartZone/Omnalink (3600 & 9600 Baud Cntrl Chan)
400-049400-11-000-2635-0000	RT-2000 Single Transceiver, Black, Std Display, FM1: UHF (764-870 MHz), Analog & P-25 CAI, 512 Channel Trunking: SmartZone/Omnalink (3600 & 9600 Baud Cntrl Chan) Multikey Encryption (AES/ DES/DES-XL/DES-OFB), OTAR
400-049400-11-000-1100-1100	RT-2000 Single Transceiver, Blk, Std Display, FM1: VHF (137-174 MHz), Analog & P-25 CAI, Conventional Front Panel Programmable, 240 Channel FM2: VHF (137-174 MHz), Analog & P-25 CAI, Conventional Front Panel Programmable, 240 Channel
400-049400-11-000-1105-1105	RT-2000 Dual Transceiver, Blk, Std Display FM1: VHF (137-174 MHz), Analog & P-25 CAI, Conventional Front Panel Programmable, 240 Channel Multikey Encryption (AES/DES/DES-XL/DES-OFB), OTAR FM2: VHF (137-174 MHz), Analog & P-25 CAI, Conventional Front Panel Programmable, 240 Channel Multikey Encryption (AES/DES/DES-XL/DES-OFB), OTAR

Tactical Communication Products: RT-2000 Remote Mounted Transceiver

Configuration Variations	Description
400-049400-11-000-1100-1300	RT-2000 Single Transceiver, Blk, Std Display, FM1: VHF (137-174 MHz), Analog & P-25 CAI, Conventional Front Panel Programmable, 240 Channel FM2: VHF (450-520 MHz), Analog & P-25 CAI, Conventional Front Panel Programmable, 240 Channel
400-049400-11-000-1105-1305	RT-2000 Dual Transceiver, Blk, Std Display FM1: VHF (137-174 MHz), P-25 CAI, Conventional Front Panel Programmable, 240 Channel Multikey Encryption (AES/ DES/DES-XL/DES-OFB), OTAR FM2: VHF (450-520 MHz), P-25 CAI, Conventional Front Panel Programmable, 240 Channel Multikey Encryption (AES/ DES/DES-XL/DES-OFB), OTAR
400-049400-11-000-1100-2630	RT-2000 Single Transceiver, Blk, Std Display, FM1: VHF (137-174 MHz), Analog & P-25 CAI, Conventional Front Panel Programmable, 240 Channel FM2: VHF (764-870 MHz), Analog & P-25 CAI, 512 Channel Trunking: SmartZone/Omnalink (3600 & 9600 Baud Cntrl Chan)
400-049400-11-000-1105-2605	RT-2000 Single Transceiver, Blk, Std Display, FM1: VHF (137-174 MHz), Analog & P-25 CAI, Conventional Front Panel Programmable, 240 Channel Multikey Encryption (AES/ DES/DES-XL/DES-OFB), OTAR FM2: VHF (764-870 MHz), Analog & P-25 CAI, 512 Channel Trunking: SmartZone/Omnalink (3600 & 9600 Baud Cntrl Chan) Multikey Encryption (AES/ DES/DES-XL/DES-OFB), OTAR
400-049400-11-000-2135-2135	RT-2000 Single Transceiver, Blk, Std Display, FM1: VHF (137-174 MHz), Analog & P-25 CAI, 512 Channel Trunking: SmartZone/Omnalink (3600 & 9600 Baud Cntrl Chan) Multikey Encryption (AES/ DES/DES-XL/DES-OFB), OTAR FM2: VHF (137-164 MHz), Analog & P-25 CAI, 512 Channel Trunking: SmartZone/Omnalink (3600 & 9600 Baud Cntrl Chan) Multikey Encryption (AES/ DES/DES-XL/DES-OFB), OTAR
400-049400-11-000-2135-2335	RT-2000 Single Transceiver, Blk, Std Display, FM1: VHF (137-174 MHz), Analog & P-25 CAI, 512 Channel Trunking: SmartZone/Omnalink (3600 & 9600 Baud Cntrl Chan) Multikey Encryption (AES/ DES/DES-XL/DES-OFB), OTAR FM2: UHF (450-520 MHz), Analog & P-25 CAI, 512 Channel Trunking: SmartZone/Omnalink (3600 & 9600 Baud Cntrl Chan) Multikey Encryption (AES/ DES/DES-XL/DES-OFB), OTAR
400-049400-11-000-2135-2535	RT-2000 Single Transceiver, Blk, Std Display, FM1: VHF (137-174 MHz), Analog & P-25 CAI, 512 Channel Trunking: SmartZone/Omnalink (3600 & 9600 Baud Cntrl Chan) Multikey Encryption (AES/ DES/DES-XL/DES-OFB), OTAR FM2: UHF (380-470 MHz), Analog & P-25 CAI, 512 Channel Trunking: SmartZone/Omnalink (3600 & 9600 Baud Cntrl Chan) Multikey Encryption (AES/ DES/DES-XL/DES-OFB), OTAR
400-049400-11-000-2135-2635	RT-2000 Single Transceiver, Blk, Std Display, FM1: VHF (137-174 MHz), Analog & P-25 CAI, 512 Channel Trunking: SmartZone/Omnalink (3600 & 9600 Baud Cntrl Chan) Multikey Encryption (AES/ DES/DES-XL/DES-OFB), OTAR FM2: UHF (764-870 MHz), Analog & P-25 CAI, 512 Channel Trunking: SmartZone/Omnalink (3600 & 9600 Baud Cntrl Chan) Multikey Encryption (AES/ DES/DES-XL/DES-OFB), OTAR
400-049400-11-000-2535-2535	RT-2000 Single Transceiver, Blk, Std Display, FM1: UHF (380-470 MHz), Analog & P-25 CAI, 512 Channel Trunking: SmartZone/Omnalink (3600 & 9600 Baud Cntrl Chan) Multikey Encryption (AES/ DES/DES-XL/DES-OFB), OTAR FM2: UHF (380-470 MHz), Analog & P-25 CAI, 512 Channel Trunking: SmartZone/Omnalink (3600 & 9600 Baud Cntrl Chan) Multikey Encryption (AES/ DES/DES-XL/DES-OFB), OTAR
400-049400-11-000-2535-2335	RT-2000 Single Transceiver, Blk, Std Display, FM1: UHF (380-470 MHz), Analog & P-25 CAI, 512 Channel Trunking: SmartZone/Omnalink (3600 & 9600 Baud Cntrl Chan) Multikey Encryption (AES/ DES/DES-XL/DES-OFB), OTAR FM2: UHF (450-520 MHz), Analog & P-25 CAI, 512 Channel Trunking: SmartZone/Omnalink (3600 & 9600 Baud Cntrl Chan) Multikey Encryption (AES/ DES/DES-XL/DES-OFB), OTAR

Tactical Communication Products: RT-2000 Remote Mounted Transceiver

Configuration Variations	Description
400-049400-11-000-2535-2635	RT-2000 Single Transceiver, Blk, Std Display, FM1: UHF (380-470 MHz), Analog & P-25 CAI, 512 Channel Trunking: SmartZone/Omnalink (3600 & 9600 Baud Cntrl Chan) Multikey Encryption (AES/ DES/DES-XL/DES-OFB), OTAR FM2: UHF (764-870 MHz), Analog & P-25 CAI,512 Channel Trunking: SmartZone/Omnalink (3600 & 9600 Baud Cntrl Chan) Multikey Encryption (AES/ DES/DES-XL/DES-OFB), OTAR
400-049400-11-000-1300-1300	RT-2000 Single Transceiver, Blk, NVG Display, FM1: UHF (450-520 MHz), Analog & P-25 CAI, Conventional Front Panel Programmable, 240 Channel FM2: UHF (450-520 MHz), Analog & P-25 CAI, Conventional Front Panel Programmable, 240 Channel
400-049400-11-000-1305-1305	RT-2000 Single Transceiver, Blk, NVG Display, FM1: UHF (450-520 MHz), Analog & P-25 CAI, Conventional Front Panel Programmable, 240 Channel Multikey Encryption (AES/ DES/DES-XL/DES-OFB), OTAR FM2: UHF (450-520 MHz), Analog & P-25 CAI, Conventional Front Panel Programmable, 240 Channel Multikey Encryption (AES/ DES/DES-XL/DES-OFB), OTAR
400-049400-11-000-2330-2330	RT-2000 Single Transceiver, Blk, Std Display, FM1: UHF (450-520 MHz), Analog & P-25 CAI, 512 Channel Trunking: SmartZone/Omnalink (3600 & 9600 Baud Cntrl Chan) FM2: UHF (450-520 MHz), Analog & P-25 CAI,512 Channel Trunking: SmartZone/Omnalink (3600 & 9600 Baud Cntrl Chan)
400-049400-11-000-2335-2335	RT-2000 Single Transceiver, Blk, Std Display, FM1: UHF (450-520 MHz), Analog & P-25 CAI, 512 Channel Trunking: SmartZone/Omnalink (3600 & 9600 Baud Cntrl Chan) Multikey Encryption (AES/ DES/DES-XL/DES-OFB), OTAR FM2: UHF (450-520 MHz), Analog & P-25 CAI,512 Channel Trunking: SmartZone/Omnalink (3600 & 9600 Baud Cntrl Chan) Multikey Encryption (AES/ DES/DES-XL/DES-OFB), OTAR
400-049400-11-000-2330-2630	RT-2000 Single Transceiver, Blk, Std Display, FM1: UHF (450-520 MHz), Analog & P-25 CAI, 512 Channel Trunking: SmartZone/Omnalink (3600 & 9600 Baud Cntrl Chan) FM2: UHF (764-870 MHz), Analog & P-25 CAI,512 Channel Trunking: SmartZone/Omnalink (3600 & 9600 Baud Cntrl Chan)
400-049400-11-000-2335-2635	RT-2000 Single Transceiver, Blk, Std Display, FM1: UHF (450-520 MHz), Analog & P-25 CAI, 512 Channel Trunking: SmartZone/Omnalink (3600 & 9600 Baud Cntrl Chan) Multikey Encryption (AES/ DES/DES-XL/DES-OFB), OTAR FM2: UHF (764-870 MHz), Analog & P-25 CAI,512 Channel Trunking: SmartZone/Omnalink (3600 & 9600 Baud Cntrl Chan) Multikey Encryption (AES/ DES/DES-XL/DES-OFB), OTAR
400-049400-11-000-2630-2630	RT-2000 Single Transceiver, Blk, Std Display, FM1: UHF (764-870 MHz), Analog & P-25 CAI, 512 Channel Trunking: SmartZone/Omnalink (3600 & 9600 Baud Cntrl Chan) FM2: UHF (764-870 MHz), Analog & P-25 CAI,512 Channel Trunking: SmartZone/Omnalink (3600 & 9600 Baud Cntrl Chan)
400-049400-11-000-2635-2635	RT-2000 Single Transceiver, Blk, Std Display, FM1: UHF (764-870 MHz), Analog & P-25 CAI, 512 Channel Trunking: SmartZone/Omnalink (3600 & 9600 Baud Cntrl Chan) Multikey Encryption (AES/ DES/DES-XL/DES-OFB), OTAR FM2: UHF (764-870 MHz), Analog & P-25 CAI,512 Channel Trunking: SmartZone/Omnalink (3600 & 9600 Baud Cntrl Chan) Multikey Encryption (AES/ DES/DES-XL/DES-OFB), OTAR

Tactical Communication Products: RT-2000 Remote Mounted Transceiver

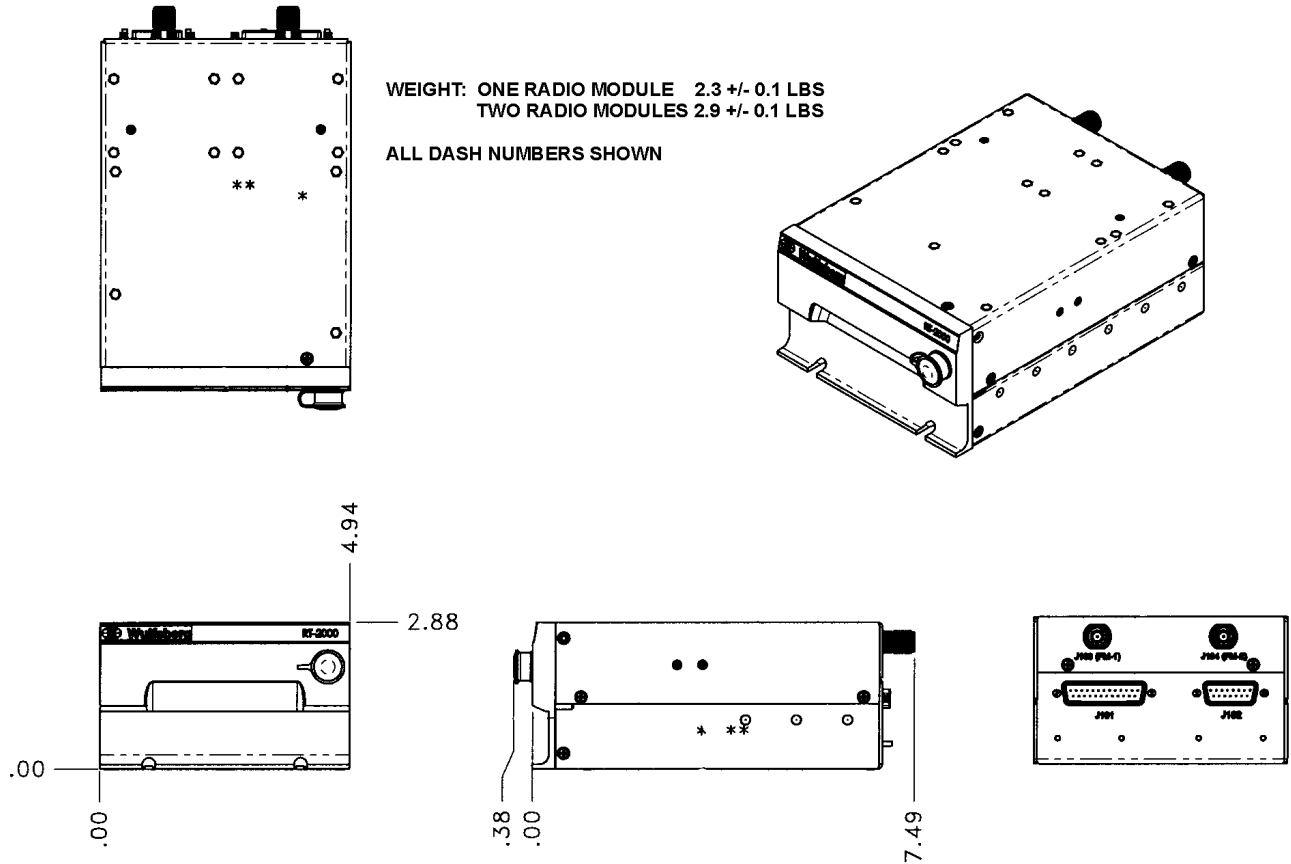


Figure 21. RT-2000 Outline Drawing
Portions of Dwg No 154-049400