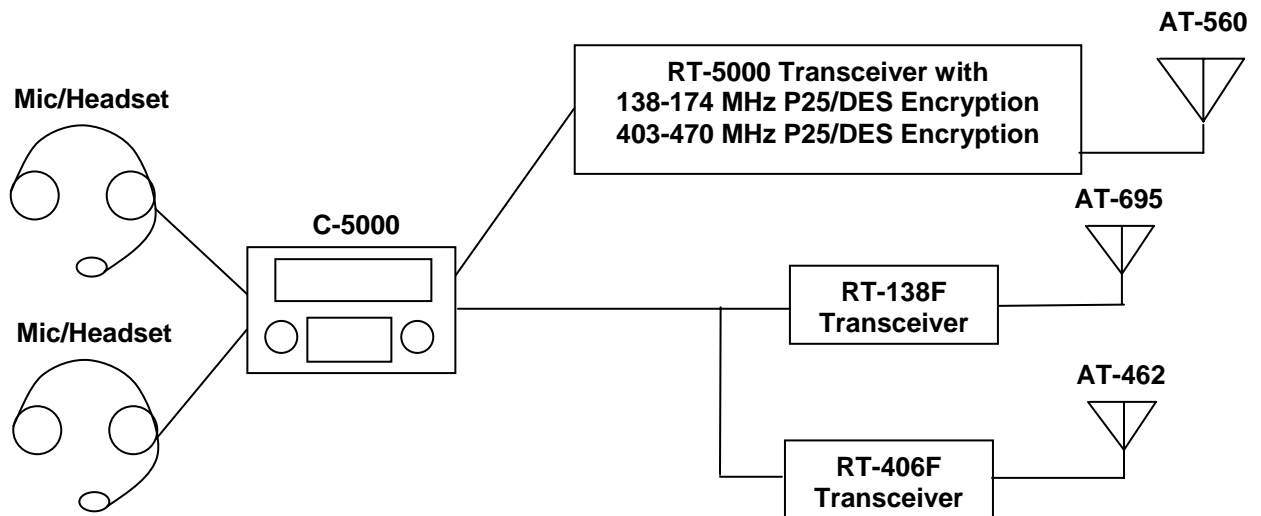


Tactical Communication Products: Sample System #2



Frequency Coverage: 29.7- 960 MHz Conventional AM/FM
 138-174 MHz P25 with DES Encryption
 403-470 MHz P25 with DES Encryption
 138-174 and 406-512 Analog FM

Mission Profiles: Army National Guard RAID Program Upgrade

System Advantages: Two radios can be monitored simultaneously. Dual Mic/Headsets allow two operators to use independent radios. The RT-5000 allows for coverage of all Federal Law Enforcement channels with encryption.

System Part Numbers and Descriptions

<u>Qty</u>	<u>Part No.</u>	<u>Description</u>
1	31300-1202-1210	C-5000 Communications Management Controller
1	400-015525-2411	RT-5000 Transceiver
1	400-014525-00	RT-138F Transceiver
1	400-012785-00	RT-406F Transceiver
1	300-316605-01	RT-5000 Vertical Mounting Tray
1	129-216657-01	RT-5000 Connector
1	129-215344-01	C-5000 System Interface Connector
1	129-217474-01	C-5000 Serial RT Interface Connector
1	129-215344-02	C-5000 Parallel RT Interface Connector
2	149-0059-000	IN-210-0 Flexcomm RT Install Kit
1	121-040130-01	AT-560 29.7-960 MHz 9.5" Multiband Tuned
1	153-040047-01	FC-5000 Antenna Tuner
1	121-0019-000	AT-695 Antenna, VHF Whip
1	121-014378-01	AT-462 Antenna 406-512 MHz Jet Blade
1	129-217321-01	FC-550/FC-50 J1 Connector
1	129-217324-01	FC-550/FC-50 J2 Connector
1	129-214346-01	FC-550/FC-50 J2 Connector
1	129-217323-01	AT-550/AT-50/AT-51 Connector
4	246-017812-01	Shock Mount for RT-5000 (Optional)