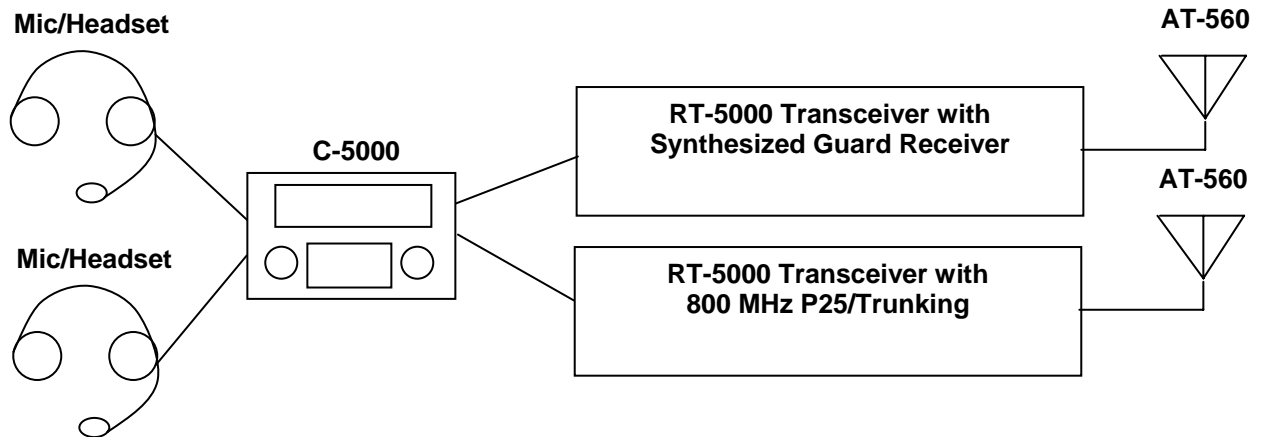


## Tactical Communication Products: Sample System #1



Frequency Coverage: 29.7 - 960 MHz Conventional AM/FM Main Receiver  
 29.7 - 960 MHz Synthesized Guard Receiver  
 806 - 870 MHz APCO-25/Motorola Trunking

Mission Profiles: City/State Law Enforcement

System Advantages: Two radios can be monitored simultaneously. Dual Mic/Headsets allow two operators to use independent radios. The RT-5000 #1 Guard Receiver can monitor any frequency between 29.7 MHz and 960 MHz. The RT-5000 #2 can operate in the 800 MHz Trunking band.

### System Part Numbers and Descriptions

<u>Qty</u>	<u>Part No.</u>	<u>Description</u>
1	31300-1202-1220	C-5000 Communications Management Controller
1	400-015525-1311	RT-5000 Transceiver with 800 MHz P25/Trunking
1	400-015525-0501	RT-5000 Transceiver with Synthesized Guard.
2	300-316605-01	RT-5000 Vertical Mounting Tray
2	129-216657-01	RT-5000 Connector
1	129-215344-01	C-5000 System Interface Connector
2	129-217474-01	C-5000 Serial RT Interface Connector
2	121-040130-01	AT-560 29.7-960 MHz 9.5" Multiband Tuned
2	153-040047-01	FC-5000 Antenna Tuner
2	129-217321-01	FC-550/FC-50 J1 Connector
2	129-217324-01	FC-550/FC-50 J2 Connector
2	129-214346-01	FC-550/FC-50 J2 Connector
2	129-217323-01	AT-550/AT-50/AT-51 Connector
8	246-017812-01	Shock Mount for RT-5000 (Optional)