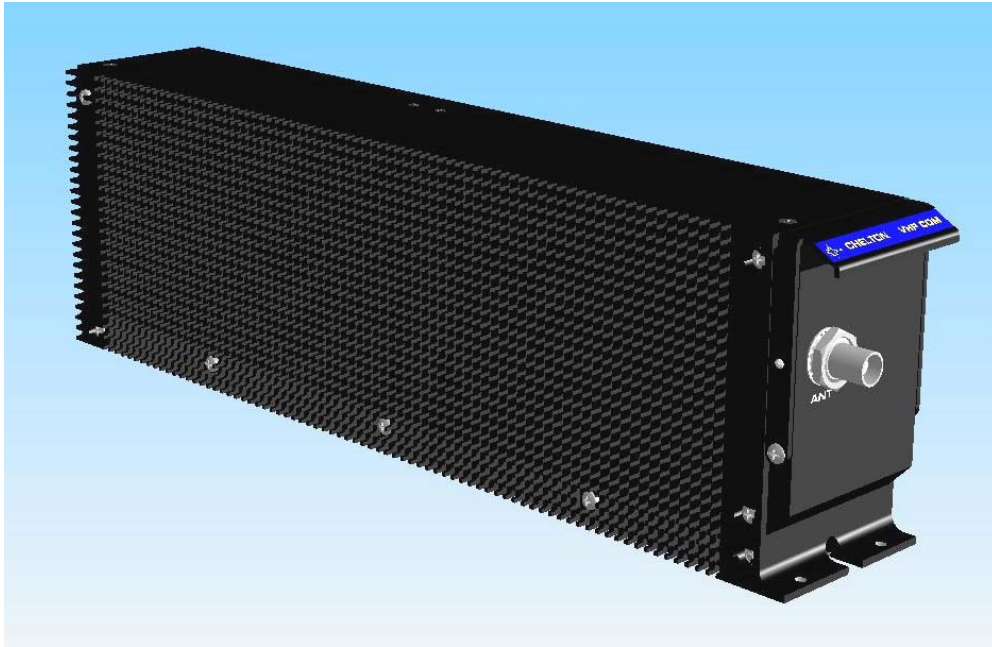


Wulfsberg FliteLine™: CVC-151 VHF Communication System



PRODUCT DESCRIPTION

The FliteLine VHF Communication System is an all digital DSP VHF Transceiver, built and designed to ARINC Air Transport specifications. CVC-151 VHF Transceiver is designed to meet the latest ATC environment and all future CNS ATN requirements. The CVC-151 has provisions for VDL Mode 2 and VDL Mode 3. Our FliteLine Communication System features a 20 watt solid-state transmitter and is compliant with 25 kHz or 8.33 kHz spacing. CVC-151 Transceiver architecture is standard ARINC 429 which supports interface to FMS systems and RMS 555 Radio Management System. The CVC-151 Transceiver is totally interchangeable with current Series III VHF Com's. The result is increased customer reliability.

Features

- 8.33 and/or 25 kHz Channel Spacing
- FM Immunity
- Continuous Transmit Capability (at reduced power)
- Built-in SELCAL and ACARS Capability
- New Color LCD CVC-152 Com Control Display
- Or Multi-function Nav/Com CCN-955 CD
- Increased System Self-Test and BIT
- ARINC 429 Digital Data Bus
- New CAN Bus Implementation
- 118.000-136.975 MHz Standard Frequency Range
- 118.000 -151.975 MHz Extended Frequency Range Option
- Reduced Weight and Volume
- Provisions for VDL Mode 2 and VDL Mode 3

Wulfsberg FliteLine™: CVC-151 VHF Communication System

Specifications

Certification:

FAA TSO:	C169
EASA ETSO:	C37e and C38e
MOPS:	
RTCA:	DO-186A
EUROCAE:	ED-23B
ICAO:	ANNEX 10

Environmental:

RTCA:	DO-160D
EUROCAE:	ED-14D

Power Requirements 28 Vdc Aircraft Power

Current Requirements Receive 0.5 Amp - Transmit 4.5 Amp.

Weight 3.75 lbs (1.7 kg)

Physical Dimensions 2.40 x 4.00 x 12.95 inches (60.96 x 101.6 x 328.93 mm)

Temperature -67°F to +158°F (-55°C to + 70°C)

Altitude 55,000 Feet (16,764 m)

Frequency Range 118.00-136.975 MHz or 118.000-151.975 MHz

Channel Spacing 8.33 and/or 25 kHz

Transmit Power 20 Watts

Audio Outputs 10 – 100 mW

Configuration Variation	Description
400-048100	CVC-151 VHF Com, [Sales@Wulfsberg.com for Info]

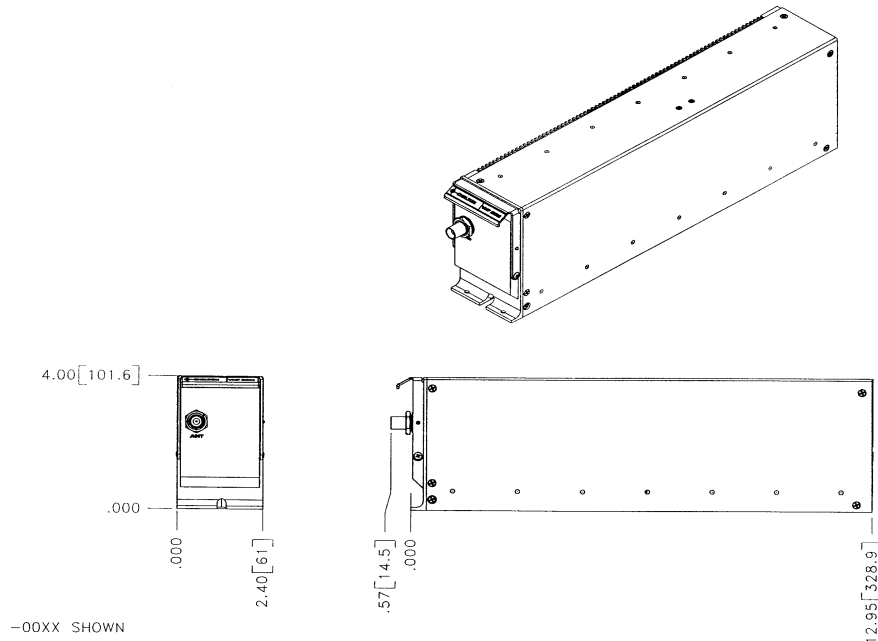


Figure 2.

CVC-151 Outline Drawing
Portions of Dwg No. 154-048100