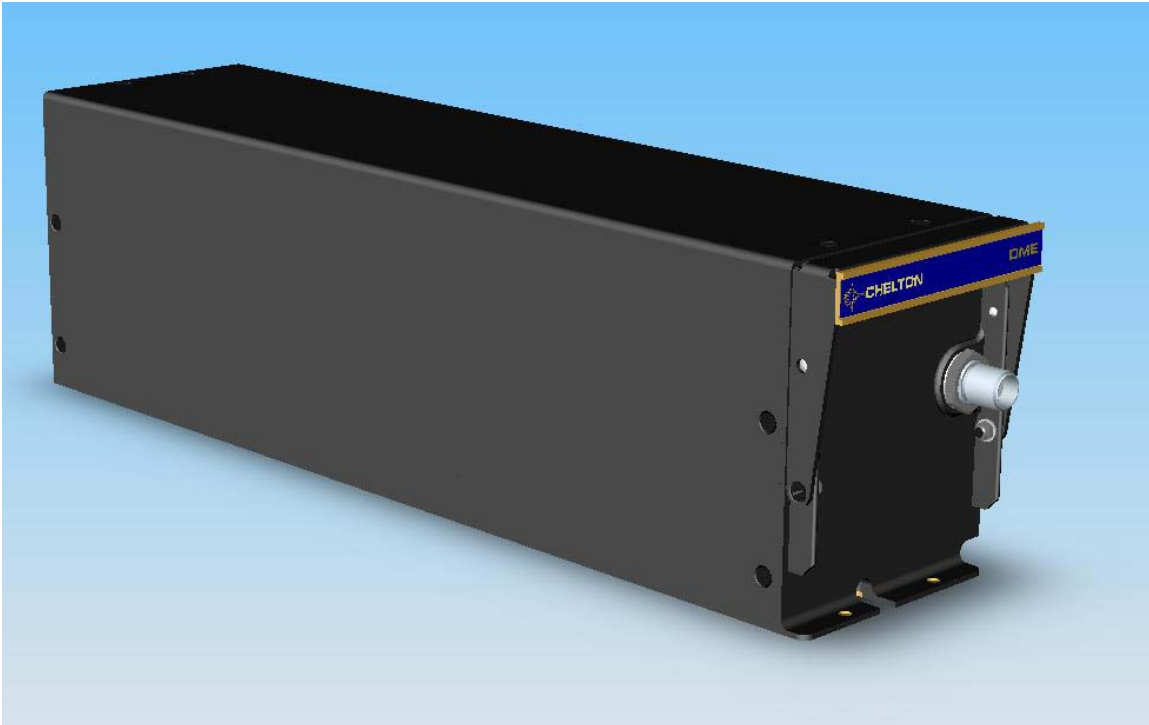


Wulfsberg FliteLine™: CDM-451 Distance Measuring System



PRODUCT DESCRIPTION

The CDM-451 is an all digital DME. The triple channel scanning DME provides ARINC 429 outputs along with analog outputs for two displays or EFIS MFD's. The CDM-451 Transceiver is compatible with FMS Systems to include auto-tune operation. The third output channel can also provide single DME output to the FMS for independent navigation solution. The Receiver can be tuned via ARINC 429 bus using individual CVN-252 Nav Control Displays, the Wulfsberg Series III RMS 555 Radio Management System, or with Flight Management Systems.

Features

Simultaneous Scanning of Three Ground Stations

325 Watt Transmitter

Continuous Self-test

Increased Built-in Diagnostics

ARINC429 Digital Data Bus Interface

Analog Outputs

New FliteLine CVN-252 Color Control Display

50% Volume and Weight Savings Compared to Series III DM-441B

Can Be Mounted Using Mounting Tray and Wiring from Series III DM-441B

Wulfsberg FliteLine™: CDM-451 Distance Measuring System

Specifications

Certification:

FAA TSO: C66c
EASA ETSO: 2C66b
MOPS:
RTCA: DO-189
EUROCAE: ED-54

Environmental:

RTCA: DO-160D
EUROCAE: ED-14D

Power Requirements 27.5 Vdc Aircraft Power (+/- 20%)

Current Requirements 1.2 Amp Max

Weight 3.6 lbs. (1.63 kg)

Temperature -67°F to +158°F (-55°C to + 70°C)

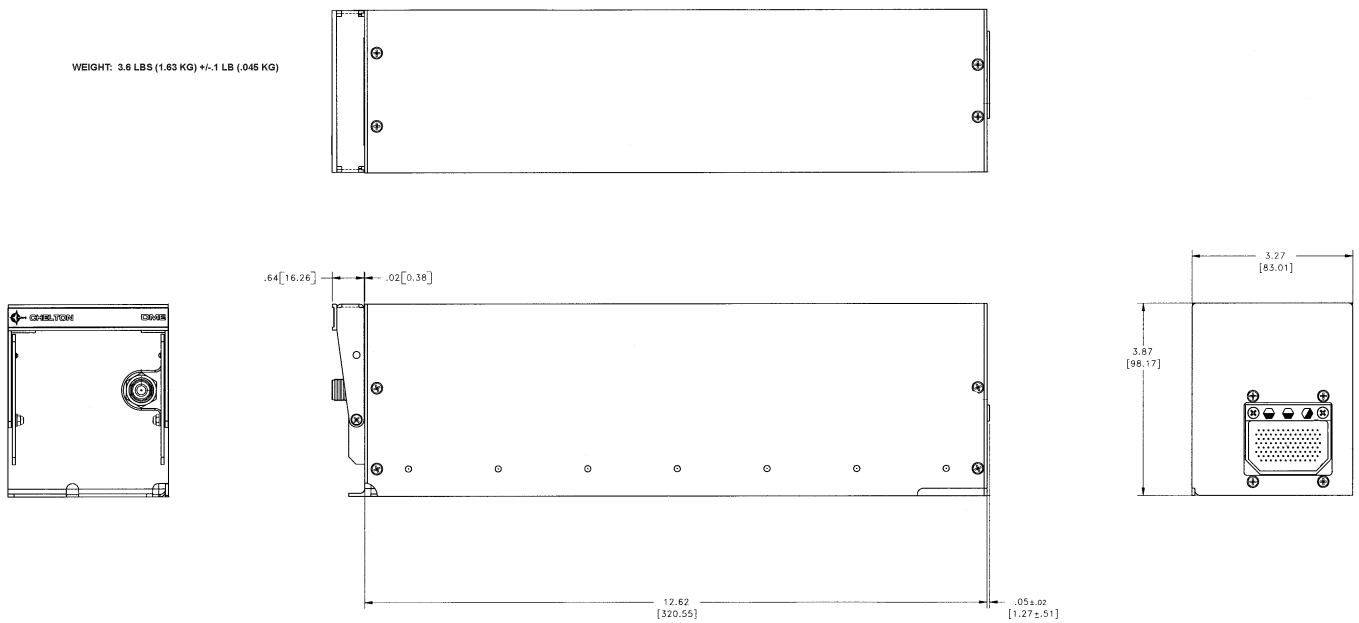
Altitude 55,000 feet (16,764 m)

Physical Dimensions 3.00 x 4.00 x 13.33 inches (76.2 x 101.6 x 338.68 mm)

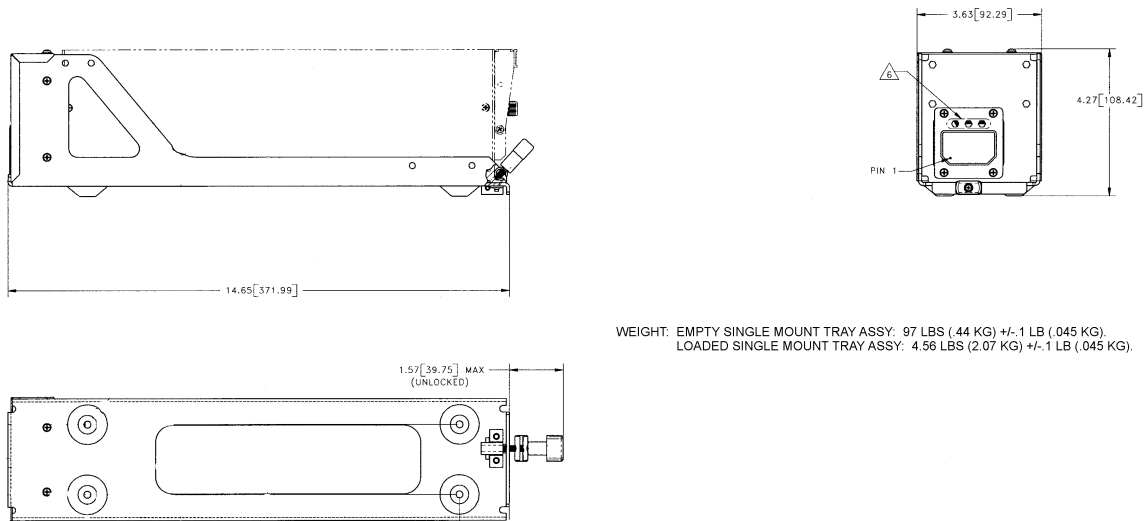
Configurations Available

Configuration Variation	Description
400-041181-0001	CDM-451 DME w/DME Hold
400-041181-0011	CDM-451 DME, Port Sensitive for MLS and EFIS System
400-041181-0012	CDM-451 DME, ARINC 429 and King Serial Bus Tuning

Wulfsberg FliteLine™: CDM-451 Distance Measuring System



**Figure 5. CDM-451 Outline Drawing
Portions of Dwg No. 154-041757**



**Figure 6. CDM-451 Mounting Tray Single Mount
Portions of Dwg No. 154-041865**

Wulfsberg FliteLine™: CDM-451 Distance Measuring System

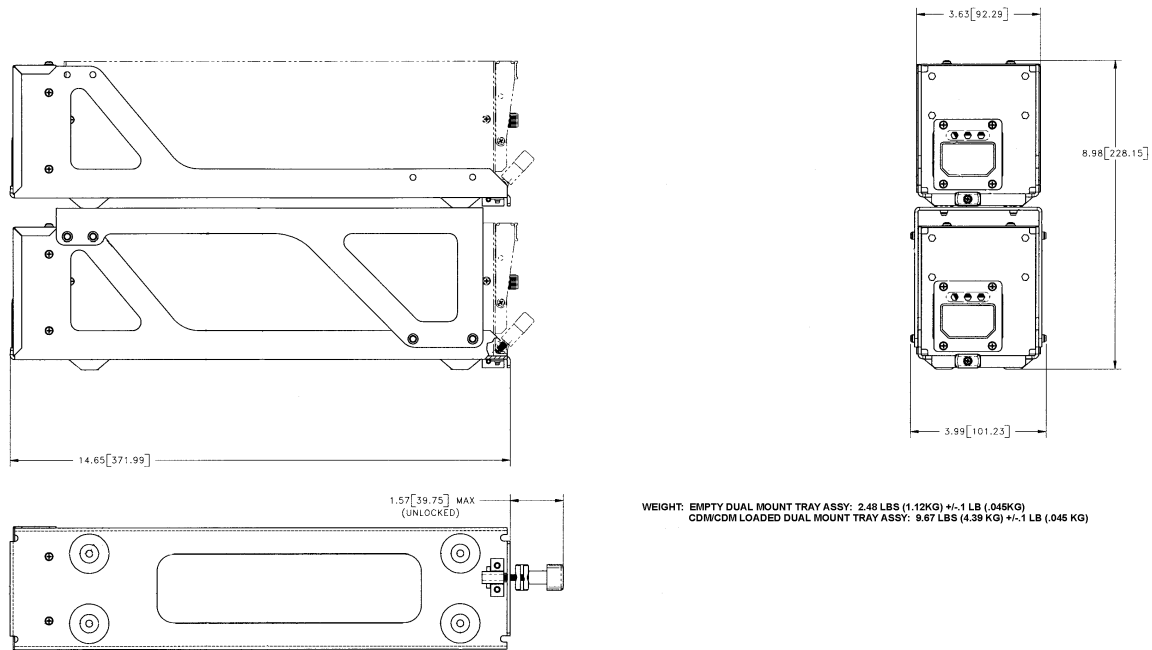


Figure 7. CDM-451 Mounting Tray Dual Mount Portions of Dwg No. 154-041866

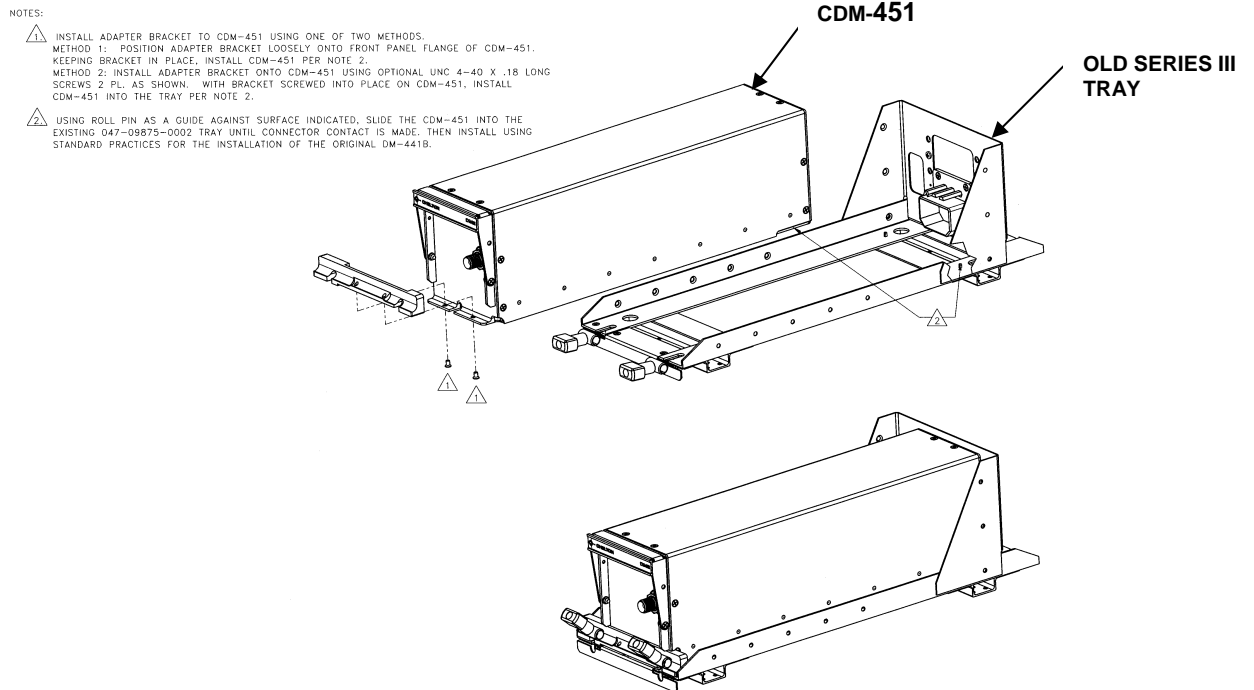


Figure 8. CDM-451 Using Existing Mounting Tray Portions of Dwg No. 154-041754